

MAE-0612 VDC
(MÓDULO DE EMERGÊNCIA)

ELEVADOR 1

AZ-MV

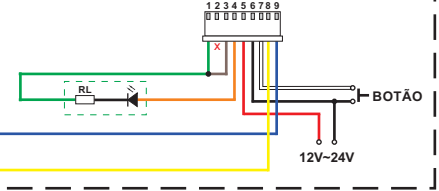
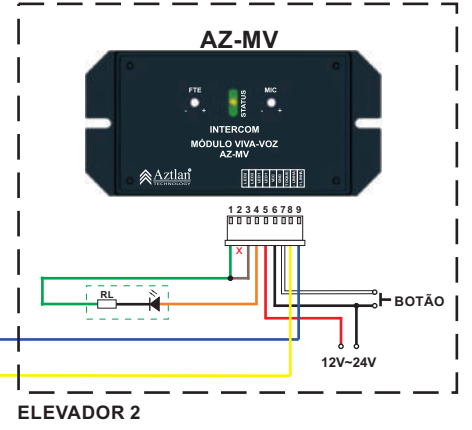


TABELA DE CONEXÃO (AZ-MV)		
FUNÇÃO	COR	Nº
LED 2	VERDE	1
LED 2	N/C	2
LED 1	MARROM	3
LED 1	LARANJA	4
VCC	VERMELHO	5
GND	PRETO	6
TOQUE	BRANCO	7
- LINHA	AMARELO	8
+ LINHA	AZUL	9



ELEVADOR 2

Tabela de código binário para endereçamento dos elevadores (produtos: AZ-C2 e AZ-S2):

Tabela de Codificação								
Dip Switch	1	2	3	4	5	6	7	8
0	0	0	0	0	0	0	0	0
1	1	0	0	0	0	0	0	0
2	0	1	0	0	0	0	0	0
3	1	1	0	0	0	0	0	0
4	0	0	1	0	0	0	0	0
5	1	0	1	0	0	0	0	0
6	0	1	1	0	0	0	0	0
7	1	1	1	0	0	0	0	0
8	0	0	0	1	0	0	0	0
9	1	0	0	1	0	0	0	0
10	0	1	0	1	0	0	0	0
.
.
99	1	1	0	0	0	1	1	0

OBS: tabela completa na página 2

ATENÇÃO: O APARELHO DA CASA DE MÁQUINAS (AZ-C2/AZ-S2) É OBRIGATÓRIO PARA O FUNCIONAMENTO DO SISTEMA AZ

*Até 99 conexões



PROPRIETARY AND CONFIDENTIAL
THE INFORMATION CONTAINED IN THIS DRAWING IS THE SOLE PROPERTY OF AZTLAN. ANY REPRODUCTION IN PART OR AS A WHOLE WITHOUT THE WRITTEN PERMISSION OF AZTLAN IS PROHIBITED

Aztlan Indústria de Eletroeletrônicos Ltda.

Esquema de Ligação:
Sistema de comunicação - Série AZ

ESQUEMA DE LIGAÇÃO CONSIDERANDO APENAS 2 ELEVADORES
AZ-99 x AZ-C2 x AZ-S2 x AZ-MV x MAE-0612VDC

SIZE A4	DRAWING NUMBER:	REV. 20/06/2022
SCALE: N/A	DRAWN: ALEXANDRE BIGHETTI	SHEET 1 OF 2

Tabela de código binário para endereçamento dos elevadores (produtos: AZ-C2 e AZ-S2):

Nº ELEV.	PINAGEM DIP SWITCH							
	1	2	3	4	5	6	7	8
0	0	0	0	0	0	0	0	0
1	1	0	0	0	0	0	0	0
2	0	1	0	0	0	0	0	0
3	1	1	0	0	0	0	0	0
4	0	0	1	0	0	0	0	0
5	1	0	1	0	0	0	0	0
6	0	1	1	0	0	0	0	0
7	1	1	1	0	0	0	0	0
8	0	0	0	1	0	0	0	0
9	1	0	0	1	0	0	0	0
10	0	1	0	1	0	0	0	0
11	1	1	0	1	0	0	0	0
12	0	0	1	1	0	0	0	0
13	1	0	1	1	0	0	0	0
14	0	1	1	1	0	0	0	0
15	1	1	1	1	0	0	0	0
16	0	0	0	0	1	0	0	0
17	1	0	0	0	1	0	0	0
18	0	1	0	0	1	0	0	0
19	1	1	0	0	1	0	0	0
20	0	0	1	0	1	0	0	0
21	1	0	1	0	1	0	0	0
22	0	1	1	0	1	0	0	0
23	1	1	1	0	1	0	0	0
24	0	0	0	1	1	0	0	0
25	1	0	0	1	1	0	0	0
26	0	1	0	1	1	0	0	0
27	1	1	0	1	1	0	0	0
28	0	0	1	1	1	0	0	0
29	1	0	1	1	1	0	0	0
30	0	1	1	1	1	0	0	0
31	1	1	1	1	1	0	0	0
32	0	0	0	0	0	1	0	0
33	1	0	0	0	0	1	0	0

Nº ELEV.	PINAGEM DIP SWITCH							
	1	2	3	4	5	6	7	8
34	0	1	0	0	0	1	0	0
35	1	1	0	0	0	1	0	0
36	0	0	1	0	0	1	0	0
37	1	0	1	0	0	1	0	0
38	0	1	1	0	0	1	0	0
39	1	1	1	0	0	1	0	0
40	0	0	0	1	0	1	0	0
41	1	0	0	1	0	1	0	0
42	0	1	0	1	0	1	0	0
43	1	1	0	1	0	1	0	0
44	0	0	1	1	0	1	0	0
45	1	0	1	1	0	1	0	0
46	0	1	1	1	0	1	0	0
47	1	1	1	1	0	1	0	0
48	0	0	0	0	1	1	0	0
49	1	0	0	0	1	1	0	0
50	0	1	0	0	1	1	0	0
51	1	1	0	0	1	1	0	0
52	0	0	1	0	1	1	0	0
53	1	0	1	0	1	1	0	0
54	0	1	1	0	1	1	0	0
55	1	1	1	0	1	1	0	0
56	0	0	0	1	1	1	0	0
57	1	0	0	1	1	1	0	0
58	0	1	0	1	1	1	0	0
59	1	1	0	1	1	1	0	0
60	0	0	1	1	1	1	0	0
61	1	0	1	1	1	1	0	0
62	0	1	1	1	1	1	0	0
63	1	1	1	1	1	1	0	0
64	0	0	0	0	0	0	1	0
65	1	0	0	0	0	0	1	0
66	0	1	0	0	0	0	1	0
67	1	1	0	0	0	0	1	0

Nº ELEV.	PINAGEM DIP SWITCH							
	1	2	3	4	5	6	7	8
68	0	0	1	0	0	0	1	0
69	1	0	1	0	0	0	1	0
70	0	1	1	0	0	0	1	0
71	1	1	1	0	0	0	1	0
72	0	0	0	1	0	0	1	0
73	1	0	0	1	0	0	1	0
74	0	1	0	1	0	0	1	0
75	1	1	0	1	0	0	1	0
76	0	0	1	1	0	0	1	0
77	1	0	1	1	0	0	1	0
78	0	1	1	1	0	0	1	0
79	1	1	1	1	0	0	1	0
80	0	0	0	0	1	0	1	0
81	1	0	0	0	1	0	1	0
82	0	1	0	0	1	0	1	0
83	1	1	0	0	1	0	1	0
84	0	0	1	0	1	0	1	0
85	1	0	1	0	1	0	1	0
86	0	1	1	0	1	0	1	0
87	1	1	1	0	1	0	1	0
88	0	0	0	1	1	0	1	0
89	1	0	0	1	1	0	1	0
90	0	1	0	1	1	0	1	0
91	1	1	0	1	1	0	1	0
92	0	0	1	1	1	0	1	0
93	1	0	1	1	1	0	1	0
94	0	1	1	1	1	0	1	0
95	1	1	1	1	1	0	1	0
96	0	0	0	0	0	1	1	0
97	1	0	0	0	0	1	1	0
98	0	1	0	0	0	1	1	0
99	1	1	0	0	0	1	1	0

Aztlan Indústria de Eletroeletrônicos Ltda.

Esquema de Ligação:

Sistema de comunicação - Série AZ

ESQUEMA DE LIGAÇÃO CONSIDERANDO APENAS 2 ELEVADORES

AZ-99 x AZ-C2 x AZ-S2 x AZ-MV x MAE-0612VDC



PROPRIETARY AND CONFIDENTIAL

THE INFORMATION CONTAINED IN THIS DRAWING IS THE SOLE PROPERTY OF AZTLAN. ANY REPRODUCTION IN PART OR AS A WHOLE WITHOUT THE WRITTEN PERMISSION OF AZTLAN IS PROHIBITED

SIZE A4	DRAWING NUMBER:	REV. 20/06/2022
------------	-----------------	--------------------