

Microfone de Eletreto

OFM9767L



DESCRIÇÃO

Microfone de eletreto sem terminais para diversas aplicações.

Aplicações:

Aparelhos eletrônicos em geral

CARACTERÍSTICAS TÉCNICAS

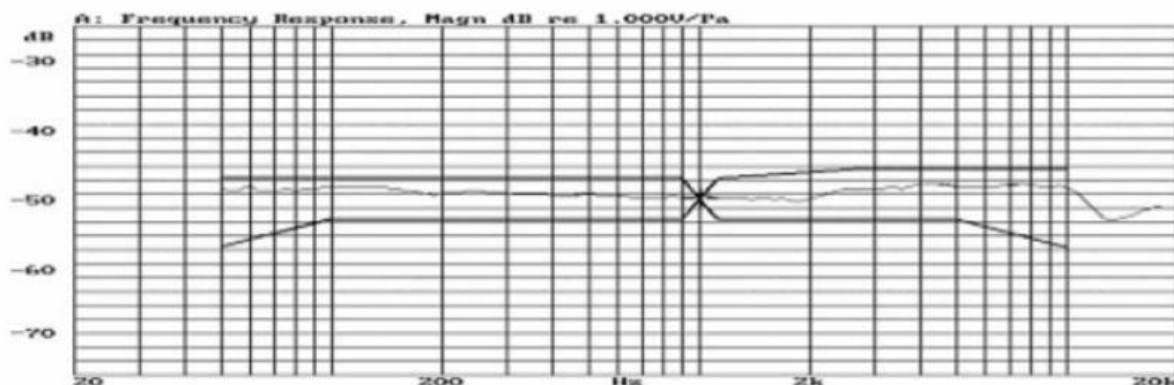
Electret Condenser Microphone Specification

1、 Electrical Characteristics:

Test Condition ($V_s=4.5V$ $R_L=2.2K\Omega$ $T_a=20^\circ C$ R. H. =70%)

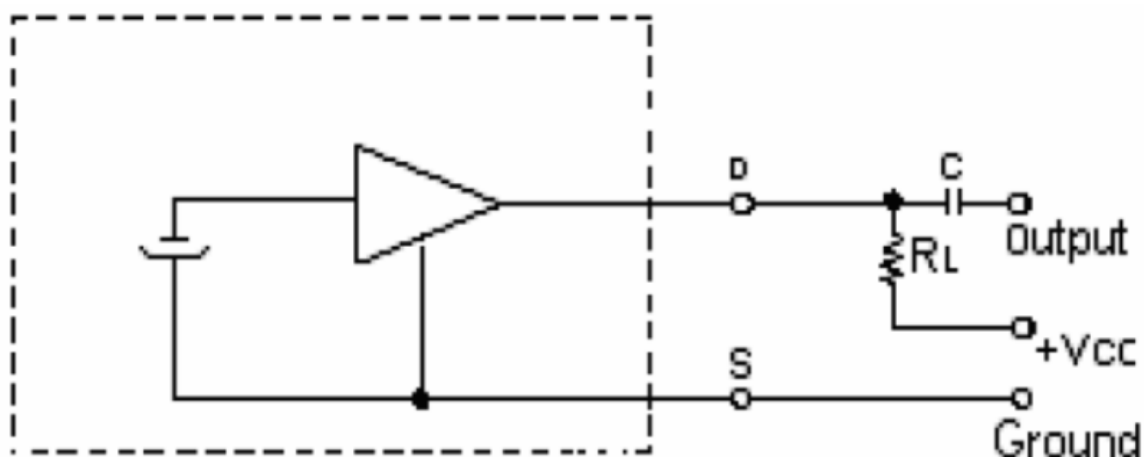
Item	Symbol	Test Conditions	Minimum	Standard	Maximum	Unit
Sensitivity	S	Pin=1 Pa , f=1kHz	-60	-58	-56	dB
Output Impedance	Zout	Low Impedance				
Directivity		Unidirectional				
Current consumption	I				500	μA
S/N ratio (A)	S/N (A)	Pin=1 Pa , f=1kHz (A Curve)	50			dB
Decreasing Voltage Characteristic	ΔS	Pin=1 Pa , f=1kHz $V_s=2.0 \sim 1.5V$			-3	dB
Operating Voltage		DC	1.5	4.5	10	V
Charging Type	Diaphragm					

2. Frequency Response Curve:



Frequency(Hz)	100	200	900	1000	1200	2000	4000	5000	8000
Upper Limit(dB)	3	3	3	0	3	5	6	6	6
Lower Limit(dB)	-3	-3	-3	0	-3	-3	-3	-3	-5

4. Standard test circuit:



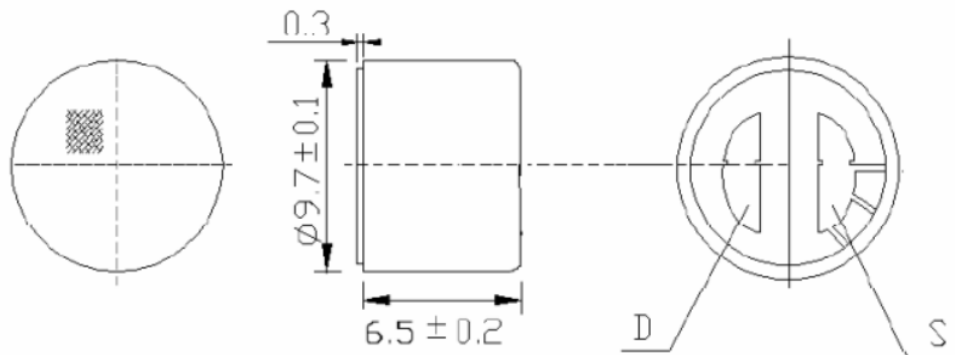
$R_L = 2.2\text{ k}\Omega$ (External resistor) $+V_{cc} = 4.5\text{ V}$ $C = 1\mu\text{ F}$

DESENHO TÉCNICO

5、 Mechanical Characteristics

Dimension	See appearance drawing
Weight	Less than 1.0g
Operation Temperature	-30°C to +70°C
Storage Temperature	-40°C to +85°C

6、 Appearance Drawing (Unit:mm)



Medidas em milímetros (mm)